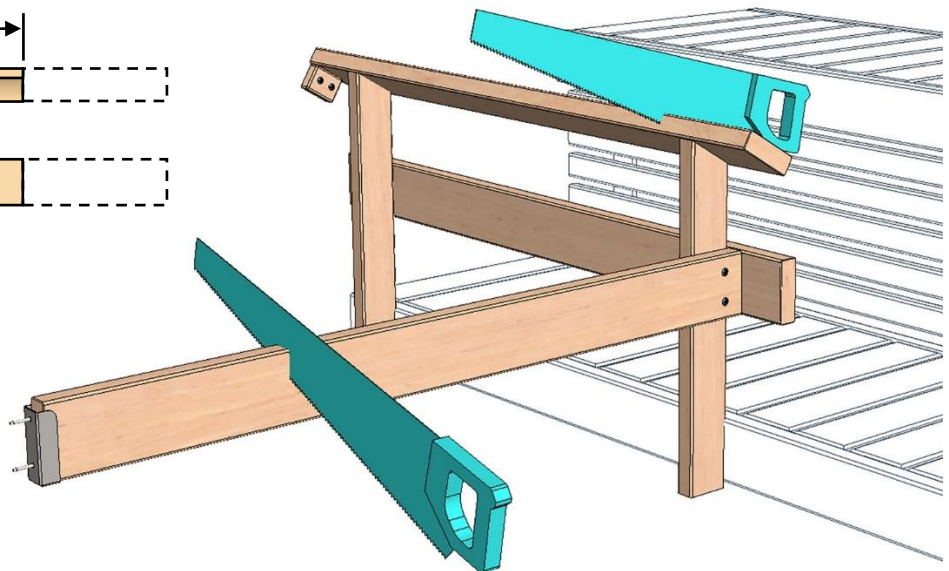
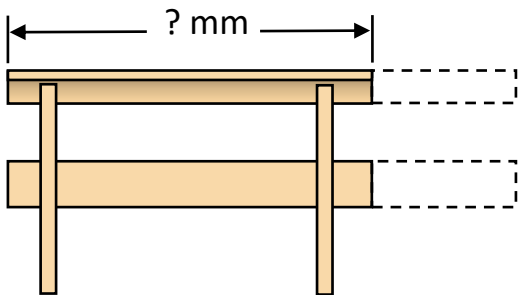
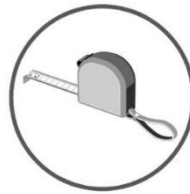
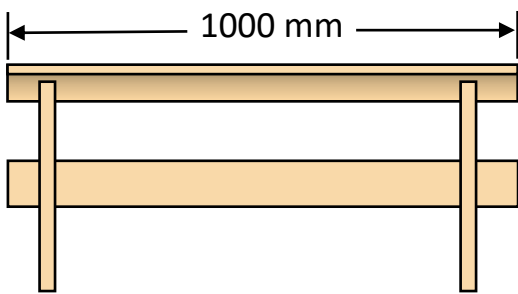
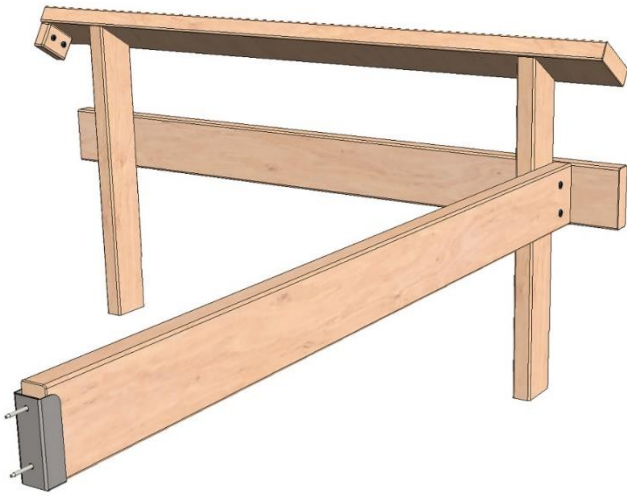
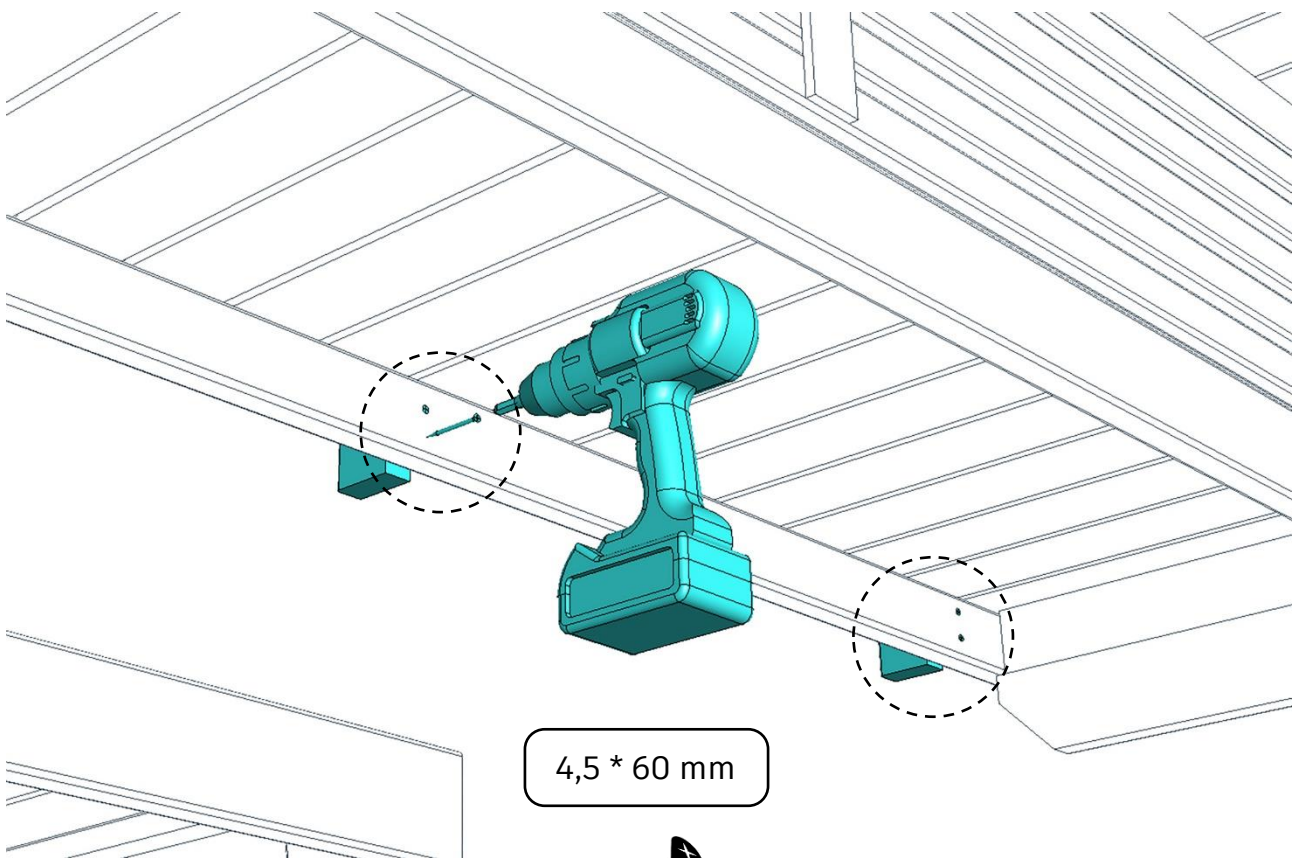
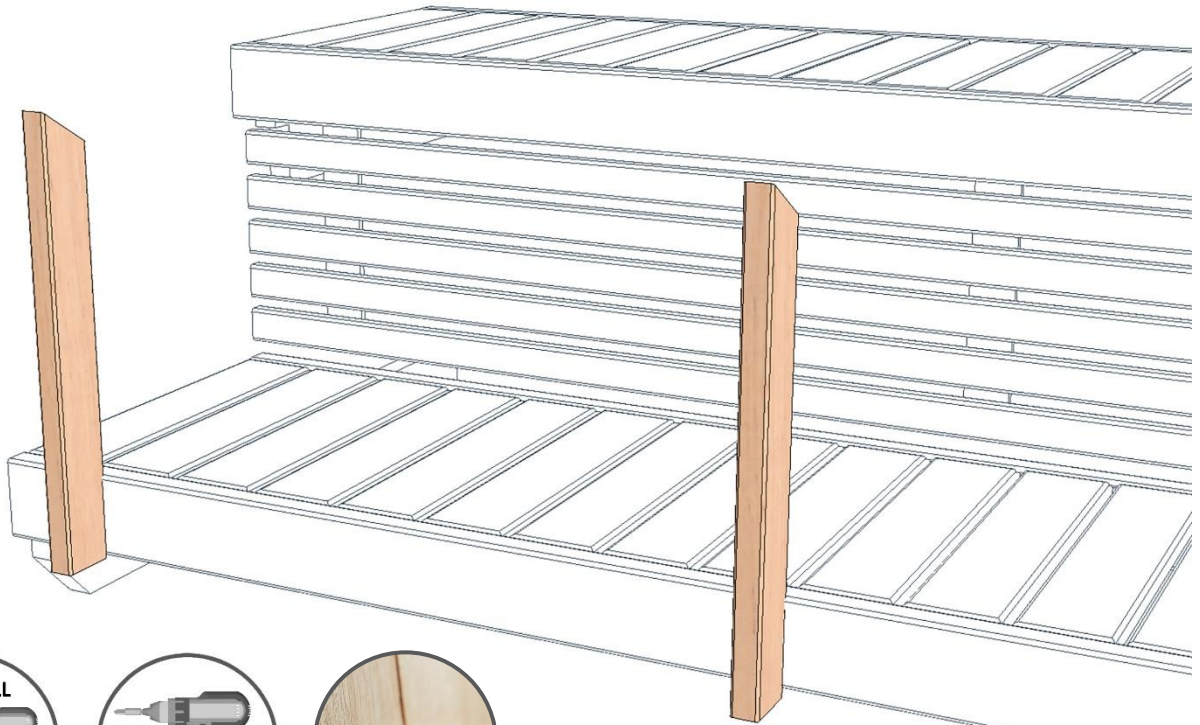


# FRKALE / FRKAHA / FRKALHA



# Installation instructions

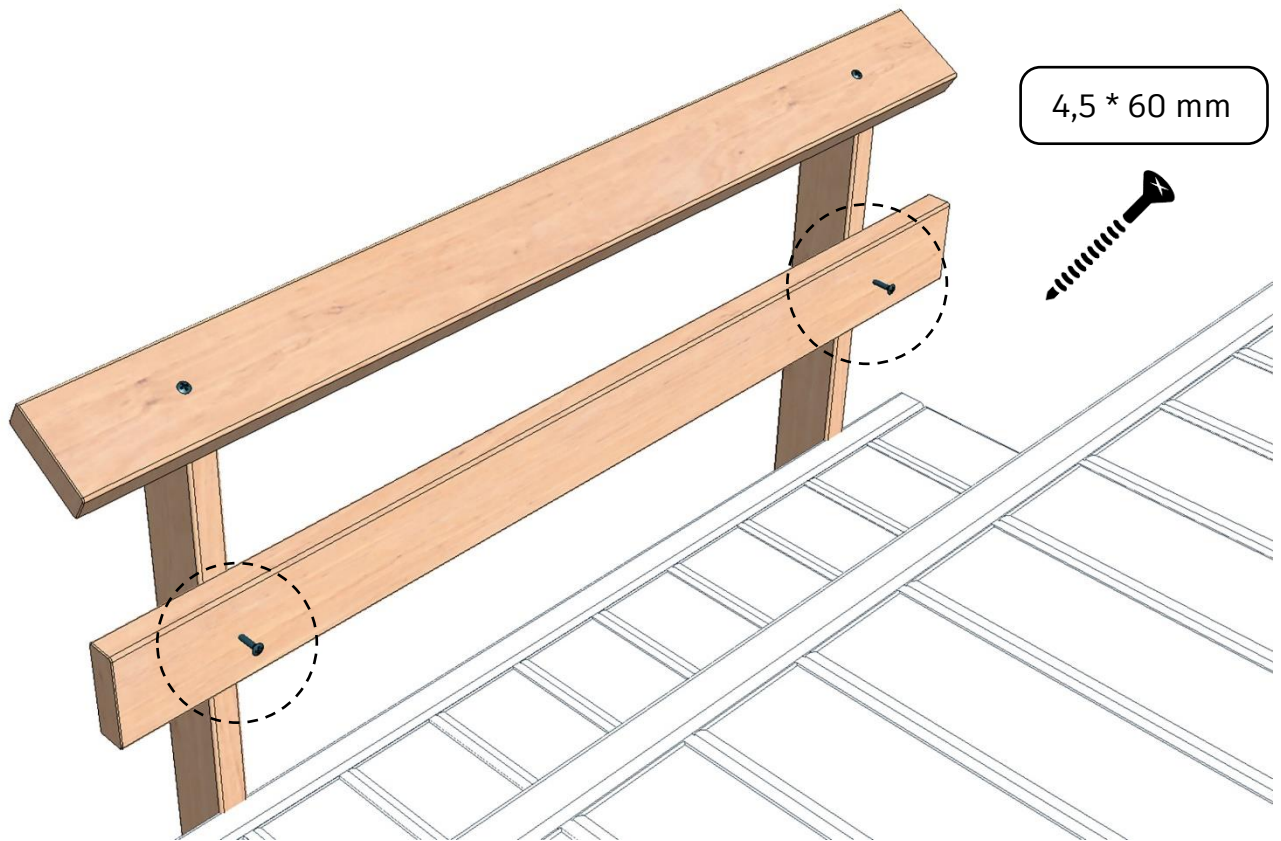
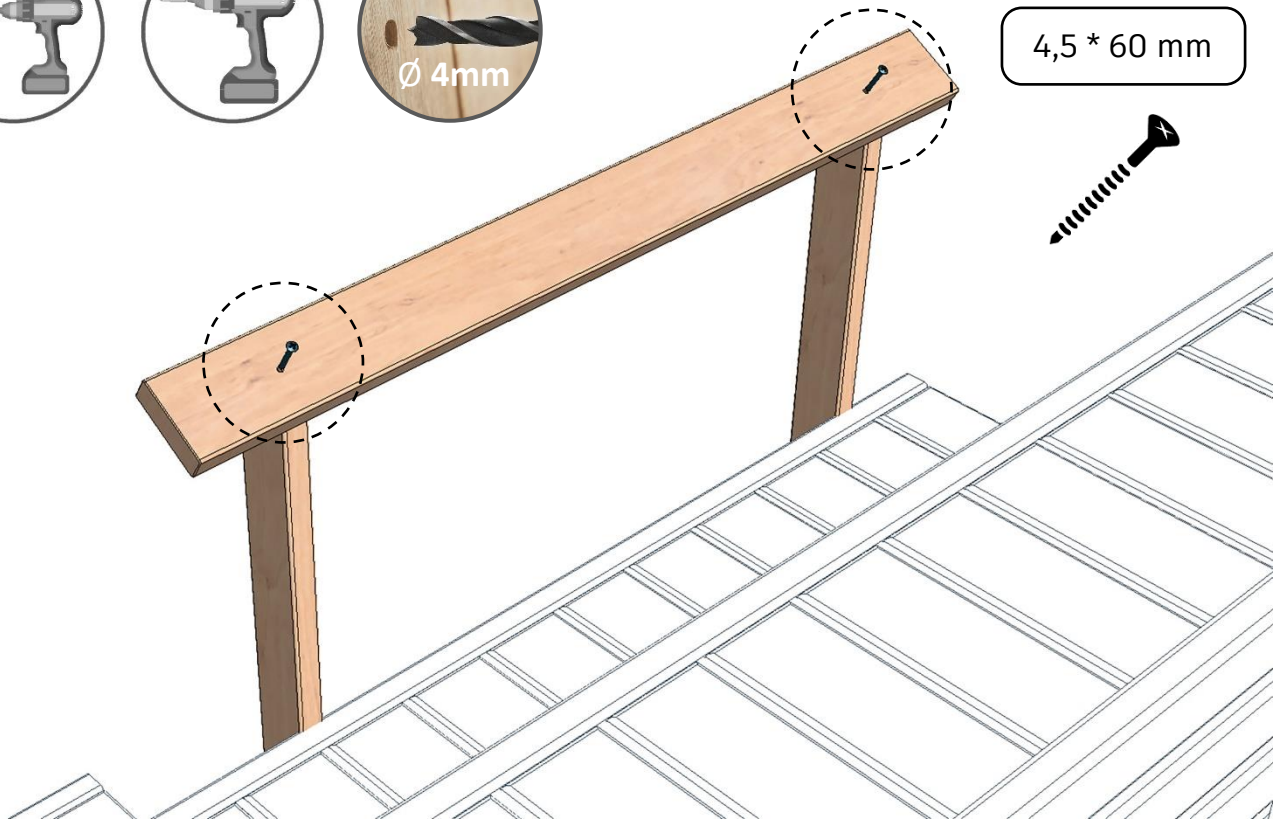


4,5 \* 60 mm



Y05-1288

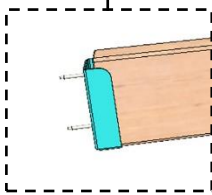
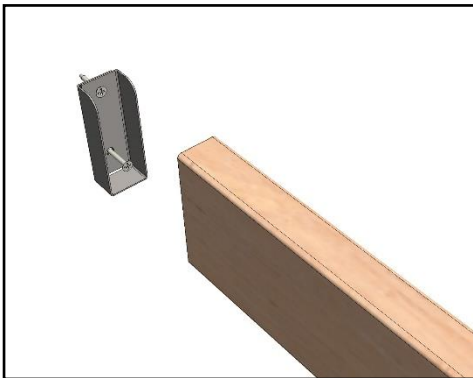
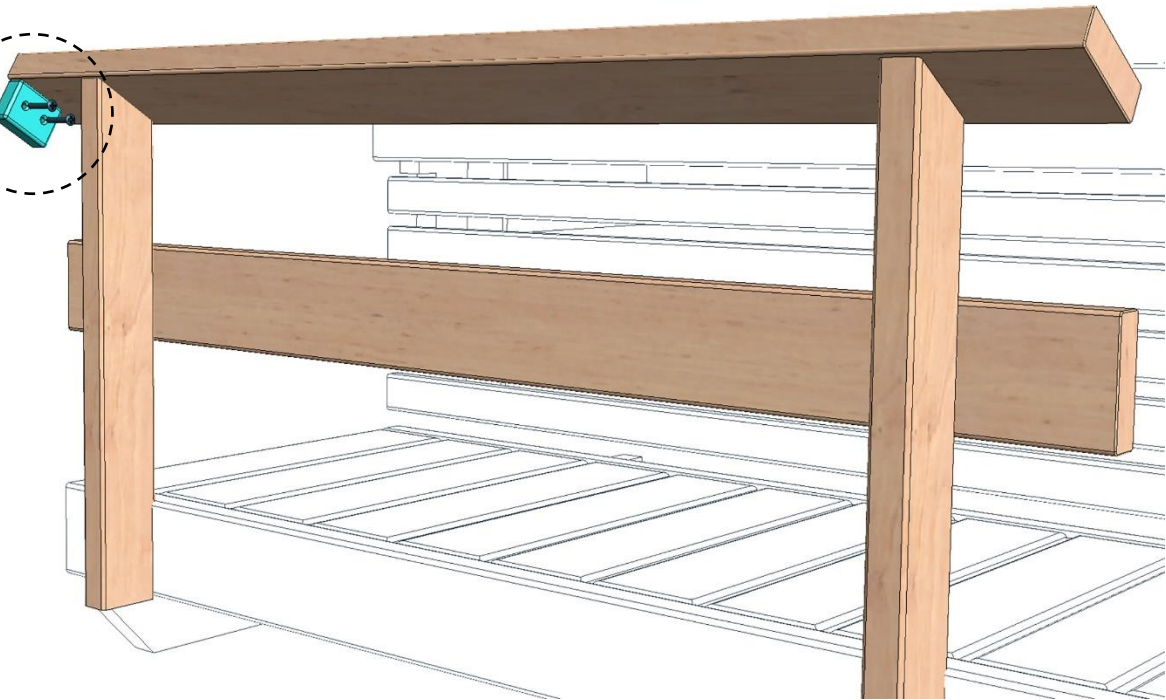
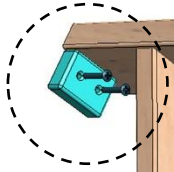
Installation instructions



Installation instructions



4,5 \* 45 mm



4 \* 25 mm



4,5 \* 45 mm

